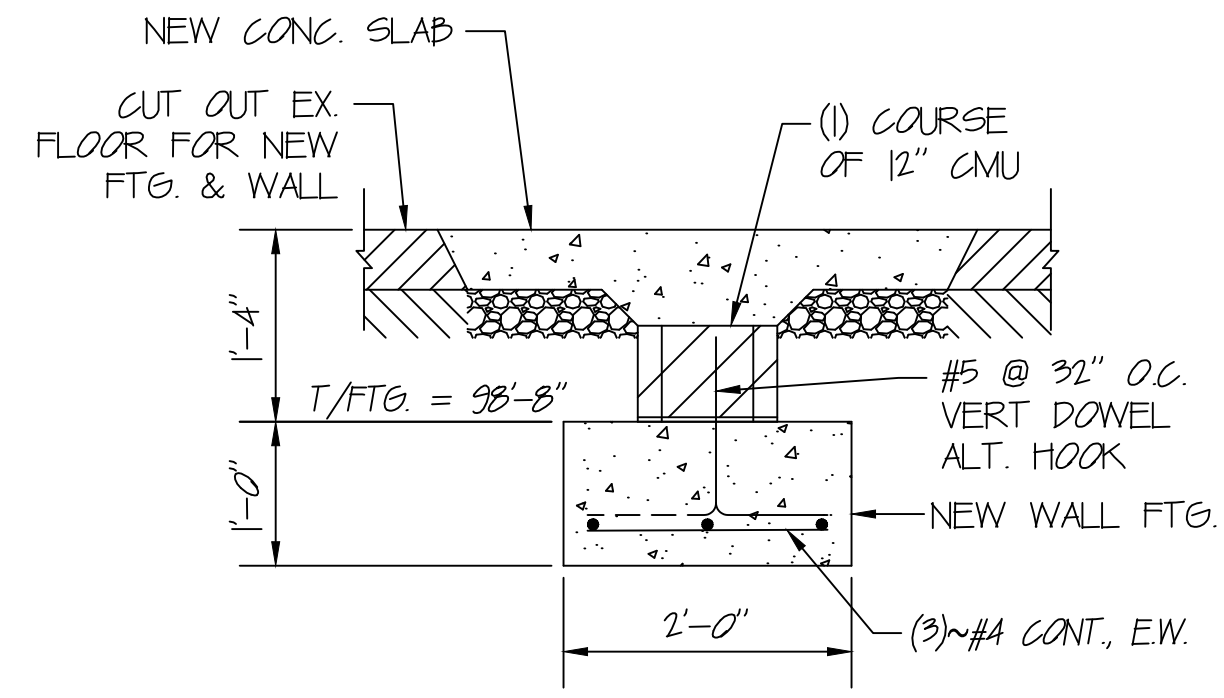
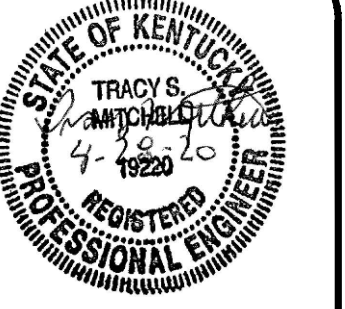


SECTION 1  
SCALE: 3/4"=1'-0"



SECTION 2  
SCALE: 3/4"=1'-0"



**ASG LLC**  
AMERICAN STRUCTURAL GROUP  
CONSULTING STRUCTURAL ENGINEERS  
2245 SOUTH MAIN STREET  
MORGAN, OHIO 45050  
PH 513-402-7600  
WWW.ASG-ENG.COM  
"Value Engineering the First Time"

REV	DESCRIPTION	DATE
6		
5		
4		
3		
2		
1		
0	PERMIT	04.28.20

CLIENT: MSE OF KENTUCKY, INC.  
624 Wellington Way  
Lexington, KY 40503  
PH: (859)223-5694

PROJECT: ROWAN COUNTY AMBULANCE GARAGE  
Morehead, Kentucky  
FOUNDATION DETAILS

CUSTOMER JOB NO.: 5070-02  
CUSTOMER: MSE  
DRAWN BY: GSM  
DATE: 04.06.20  
CKD. BY: TSM  
DATE: DATE  
ASG JOB NO.: 20193  
DRAWING FILENAME: 193F2  
DRAWING NO: